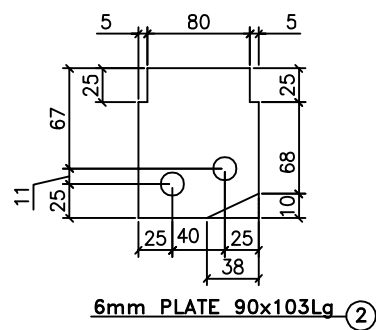
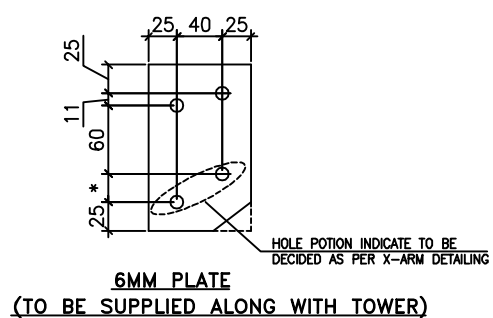


| MATERIAL LIST / SETS | | | | |
|----------------------|---------------------|----------|------------|------------------|
| NO | DESC. | QTY./SET | WT/PC (kg) | TOTAL (kg) |
| 1 | 3 THK 250x500 LG | 2 | 2.944 | 5.888 |
| 2 | 6 THK 90x103 LG | 1 | 0.437 | 0.437 |
| 3 | 3 THK 25x140 LG | 2 | 0.082 | 0.164 |
| 4 | 3 THK 320x400 LG | 2 | 3.014 | 6.028 |
| | 16ø x35MM Lg B&N | 6 | 0.119 | 0.714 |
| | 16ø 3.5mm SP.Washer | 6 | 0.009 | 0.054 |
| | | | | GRD TOTAL=13.285 |

NOTES:-

- ALL DIMENSIONS ARE IN mm
- GALVANIZED AFTER FABRICATION AS PER IS: 2629
- FIXING ARRANGEMENT TO BE CHECK WITH TOWER.
- SUITABLE PROVISION OF CLEAT/PLATE/HOLE/ TO BE PROVIDED ON SUSPENSION TOWER FACILITING INSTALLATION OF BIRD GUARD AFTER STRINGING
- ONE SET OF BIRD GUARD FOR I-STRING (TYPE-1) INCLUDES
 - BIRD GUARD PART-1(TYPE-1)= ONE NUMBER
 - BIRD GUARD PART-2 = TWO NUMBER
- HOLE FOR FIXING BG PART-2 TO BE ENSURED ON TOWER MEMBER
- 6MM PLATE & 2Nos. M16x35 Lg BOLT & NUT TO BE SUPPLIED ALONG WITH TOWER.



POWER GRID CORPORATION OF INDIA LIMITED

TITLE:

DETAIL OF BIRD GUARD FOR I-STRING (TYPE-1) REVISED

DRAWING NO.

CC: ENGG:TLACC:BG (1 of 2)